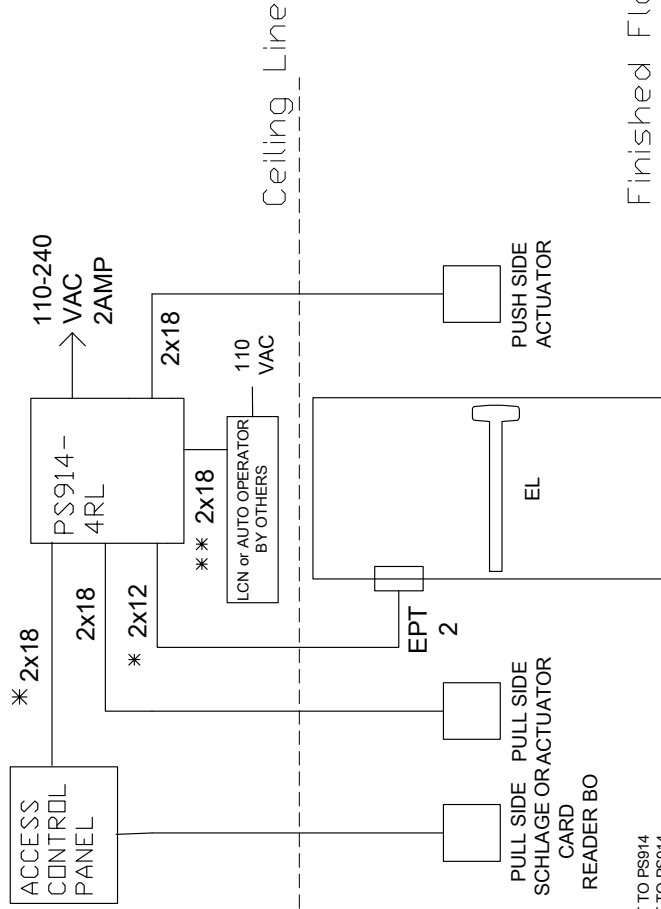


THIS DIAGRAM REPRESENTS A GENERIC CONFIGURATION. CUSTOM WIRING DIAGRAMS CAN BE ACQUIRED BY CONTACTING TECHNICAL SUPPORT.



NOTE:
 1) ALL LOW VOLTAGE WIRING TO BE STANDARD, MULTI-CONDUCTOR COLOR CODED WITHOUT SPLICES.
 2) WIRING TO CONFORM TO APPLICABLE NATIONAL, STATE AND LOCAL ELECTRICAL CODES.
 3) REFER TO SPECIFIC PRODUCT INSTALLATION INSTRUCTIONS FOR SPECIFIC WIRING REQUIREMENTS.
 4) THIS DRAWING IS FOR GRAPHICAL REPRESENTATION OF PRODUCTS DETAILED IN THE HARDWARE SET ONLY.
 5) * CONDUCTOR COUNT TO BE DETERMINED BY ACCESS CONTROL PANEL PROVIDER.

NOTES:
 1) ALL LOW VOLTAGE WIRING TO BE STANDARD, MULTI-CONDUCTOR COLOR CODED WITHOUT SPLICES.
 2) WIRING TO CONFORM TO APPLICABLE NATIONAL, STATE AND LOCAL ELECTRICAL CODES.
 3) REFER TO SPECIFIC PRODUCT INSTALLATION INSTRUCTIONS FOR SPECIFIC WIRING REQUIREMENTS.
 4) THIS DRAWING IS FOR GRAPHICAL REPRESENTATION OF PRODUCTS DETAILED IN THE HARDWARE SET ONLY.
 5) * CONDUCTOR COUNT TO BE DETERMINED BY ACCESS CONTROL PANEL PROVIDER.

OPERATION:
 PUSH SIDE ACTUATOR TO RETRACT THE ELECTRIC PANIC BAR AND OPEN THE DOOR.
 PULL SIDE SCHLAGE OR CARD READER BO TO RETRACT THE ELECTRIC PANIC BAR AND ENABLE THE PULL SIDE ACTUATOR TO OPEN THE DOOR.
 THIS CONFIGURATION REPRESENTS A NON-FIRE RATED OPENING.
 IN THIS EXAMPLE ALL WIRING CONNECTIONS ARE MADE IN THE PS914 ENCLOSURE.

DATE DRAWN: 3-20-13 REVISION DATE: 07-03-17

ALLEGION™	
TITLE: PS914-4RL AS AO WITH EL PANIC	
DRAWING TYPE: RISER DIAGRAM	DWG NO.: 109441 DRAWN/CHECKED BY: BRENDA DOVE
REV	D

HARDWARE USED:
 1 VENDOR OR FALCON EL PANIC DEVICE
 1 SCHLAGE OR CARD READER BY OTHERS WITH AP
 2 ACTUATORS
 1 PS914-4RL POWER SUPPLY
 1 EPT POWER TRANSFER
 1 LCN OR AUTO OPERATOR BY OTHERS

TYPE: IR EL PANIC WITH AD